

ADDENDUM TO MANUAL NUMBER 1-500783-015

MODEL FM-10

FREQUENCY METER/SIGNAL GENERATOR

When operating the FM-10 with a plug-in module, replace the DC fuse of 3A with a 4A fuse.

PART NUMBER

Fuse 4A
Singer Part Number: 1-924000-029
Mfr: Bussman
Mfr's Part Number: Type MDL



THE SINGER COMPANY
METRICS DIVISION
GERTSCH DEPARTMENT
LOS ANGELES, CALIF. U.S.A.

TITLE Addendum to Manual 1-500783-015
Model FM-10
Frequency Meter/Signal Generator

DWG NO.
1-500783-015(1)
SHEET 1 OF 1

APPROVED
REVISÉ
6/4/70

The RFA-20-RK is a repair kit for Models RFA-20 and RFA-20A attenuators. The kit consists of three (3) resistors, R1, R2, and R3 as shown in schematic (Fig. 1).

The replacement resistors are mounted as shown in the sectional view (Fig. 2). Particular attention must be given to the dimensions.

R1 and R3 are 61.9 ohm 1% 1/8 watt. R2 is 249 ohm 1% 1/8 watt.
 J1 and J2 connectors are referenced only and are not supplied with repair kit.

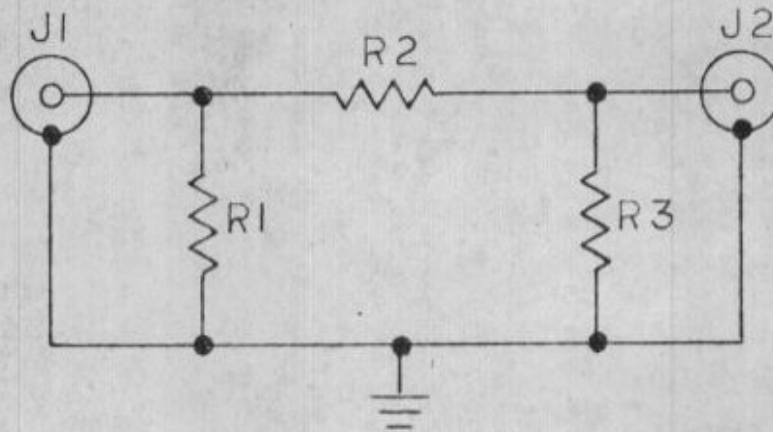


FIG.1 SCHEMATIC DIAGRAM

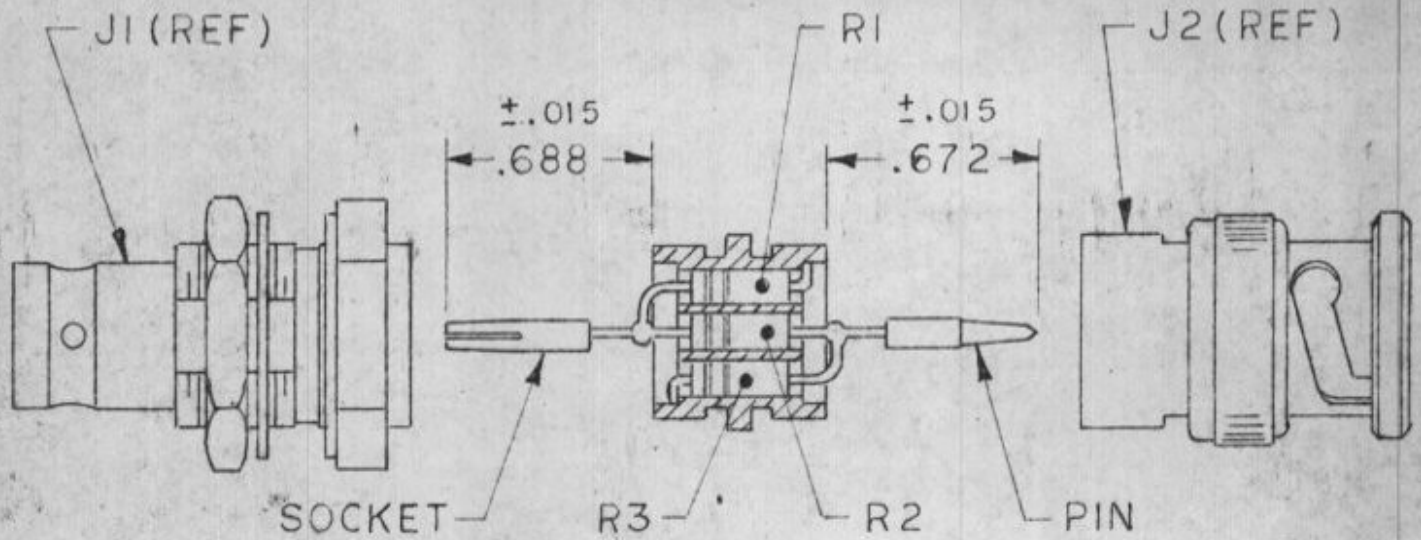


FIG.2 SECTIONAL VIEW